

CD150M Dri-Prime® Pump

CD150M

The Godwin Dri-Prime® CD150M pump is an extremely powerful yet compact pump with flow capabilities to 517 m³/hr and discharge heads to 47 metres.

The CD150M features the unique Godwin high pressure oil bath mechanical seal design. This allows for totally dry running for indefinite periods while automatically priming and repriming. Able to perform in the toughest conditions, the CD150M can handle solids up to 65 mm in diameter. This makes it an extremely effective pump, suitable for both slurry and clean water applications. The powerful CD150M has proven itself a pump of choice for contractors, local authorities, industrial and environmental companies.



Features

- Fully automatic priming from dry to 8.5 metres suction lift.
- Godwin Dri-Prime® is a continuously operated Venturi air ejector priming device which requires no periodic adjustment or control.
- Extensive application flexibility. It will handle sewage, slurries and liquids with solids up to 65 mm in diameter.
- Dry-running high pressure oil bath mechanical seal, with high abrasion resistant silicon carbide faces.
- A Close-coupled centrifugal pump with Godwin Dri-Prime® system mounted to a diesel engine or electric drive.
- All cast iron construction (stainless steel construction option available) with cast steel impeller.
- Also available as hushpac or as a bareshaft pumpend.
- Standard engine Perkins 404D-22. Also available with Perkins 1104D-44TA and Perkins 404D-22T

Specifications

Suction pipe	150 mm (6" BS10 Table 'D')
Delivery pipe	150 mm (6" BS10 Table 'D')
Max capacity	517 m ³ /hr
Max Head	47 metres
Solids handling	65 mm
Impeller diameter	280 mm
Max operating temp	80 °C
Max working pressure	4.8 bar
Max suction pressure	4.0 bar
Max casing pressure	7.2 bar
Max operating speed	2200 rpm
Fuel tank capacity	170 litres
Fuel consumption (BEP) 15.6 kW @ 1500 rpm	4.0 litres/hour

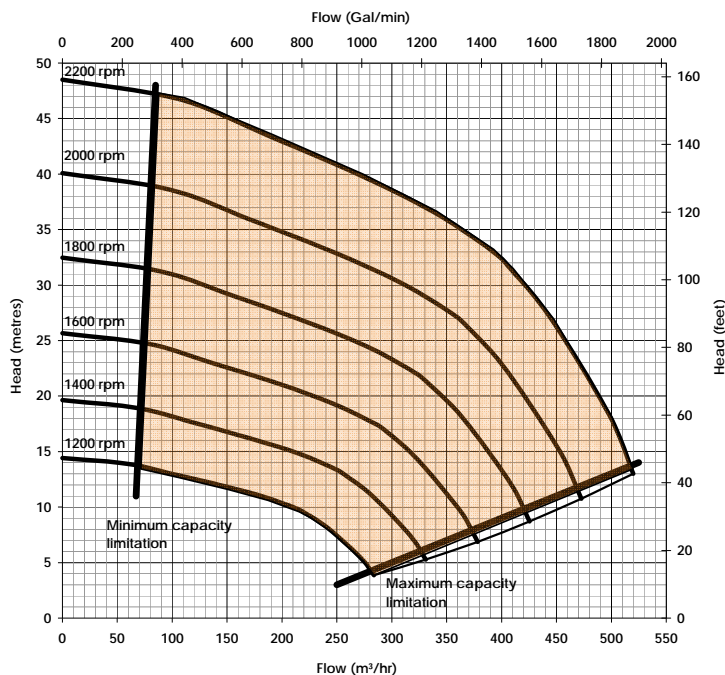


Think Orange. Think Godwin. Great Pumps. Great People.®

Reference number : 95-1011-1000
Date of issue : 17 March 2010
Issue : 5

Please contact Godwin Pumps Ltd for further details.
A typical picture of the pump is shown.
All information is approximate and for general guidance only.

Performance Curve



Materials

Pump casing & suction cover	Cast iron BS1452:1990 Grade 220
Wearplates	Cast iron to BS1452 Gr220
Pump Shaft	Carbon steel BS970 080M40
Impeller	Cast Steel BS3100 A5 Hardness to 200 HB Brinell
Non-return Valve body	Cast Iron
Mechanical Seal Faces	Silicon carbide vs silicon carbide

Weight

CD150M with Perkins 404D-22 engine	Dry weight	1,200 kg
	Wet weight	1,345 kg
CD150M with Perkins 1104D-44TA engine	Dry weight	1,800 kg
	Wet weight	2,131 kg

Engine option 1

Perkins, 404D-22, 18.7 kW @ 1500 rpm

Impeller diameter 260 mm

Engine option 2

Perkins, 1104D-44TA, 63.6 kW @ 2000 rpm

Impeller diameter 280 mm

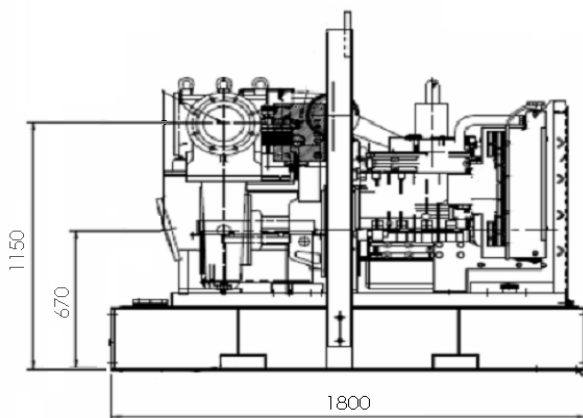
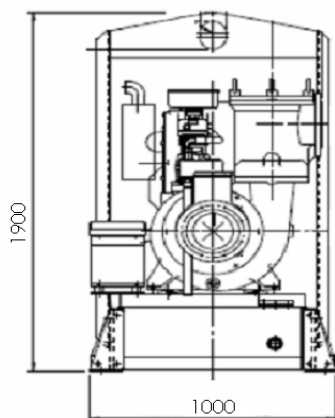
Suction Lift Table

Total Suction Head (metres)	Total Delivery Head (metres)				
	2	3	5	7	14
	Output (m³/hr)				
3.0	329	323	305	285	150
4.6	311	311	286	268	90
6.1	292	289	286	258	75
7.6	248	240	230	220	-

Suction Lift Table

Total Suction Head (metres)	Total Delivery Head (metres)				
	7	11	15	20	34
	Output (m³/hr)				
3.0	473	456	435	395	125
4.6	456	446	426	376	100
6.1	430	420	410	366	85
7.6	400	390	375	356	-

CD150M - Perkins 404D-22



Think Orange. Think Godwin. Great Pumps. Great People.®

Performance data provided in tables is based on water tests at sea level and 20°C ambient.

All information is approximate and for general guidance only.

Please contact Godwin Pumps Ltd for further details.

Reference number : 95-1011-1000

Date of issue : 17 March 2010

Issue : 5

Godwin Pumps Limited
 Quenington, Cirencester
 Gloucestershire GL7 5BX, England
 Tel: 01285 750271 Fax: 01285 750352
 Website: www.godwinpumps.co.uk
 E-mail: sales@godwinpumps.co.uk



All information is approximate and for general guidance only. Specifications and illustrations are subject to revision without notice. Godwin Pumps is not liable for any incompleteness or inaccuracies. Godwin Pumps is not liable for any consequential, incidental or indirect damages relating to these specifications or their use.

Assessed to ISO 9001:2000
 Certificate No. 224